

Overhead Cupboard catch RVL-LL66

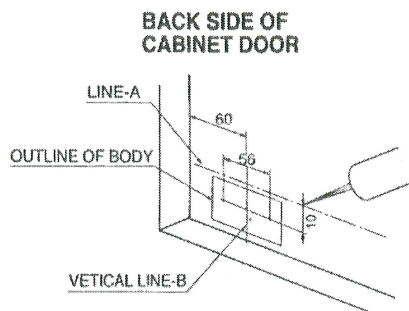
STEP 1

Cabinet door

With the door closed, draw a **LINE-A** representing this bottom of the cabinet onto the back side of the cabinet door.

Measure 60 mm from the edge of the door along the than draw a **VERTICAL LINE-B** down to the bottom.

Find two points 10 mm below the **LINE-A** and 56 mm apart using the **VERTICAL LINE-B** as a center point.



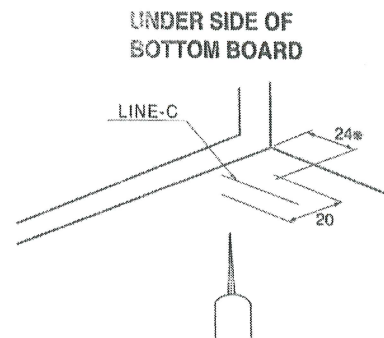
Cabinet

Mark a **LINE-C** along the bottom of the cabinet by using the **VERTICAL LINE-B** on the cabinet door.

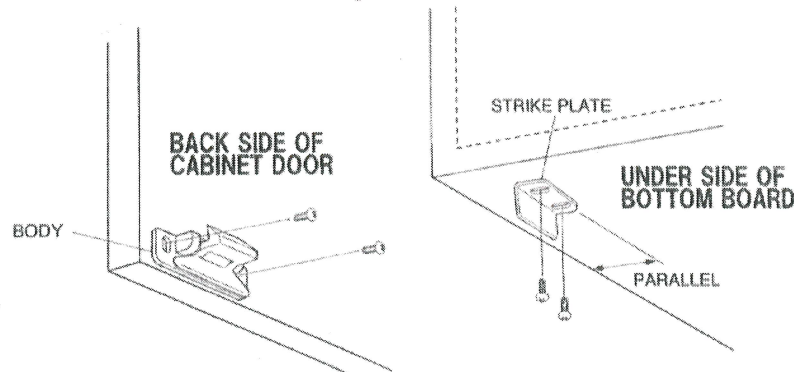
Find two points 24 mm (※) from the front of the cabinet and 20 mm apart using the line drawn on the cabinet.

Note

- * Please include distance for spacers or any other objects placed between the door and the cabinet.



Mount the body of the unit to the back of the cabinet door and mount the strike plate to the bottom of the cabinet, but do not tighten the screws down at this time.



rvalabs